

PLANETARY ANCHOR DRIVES

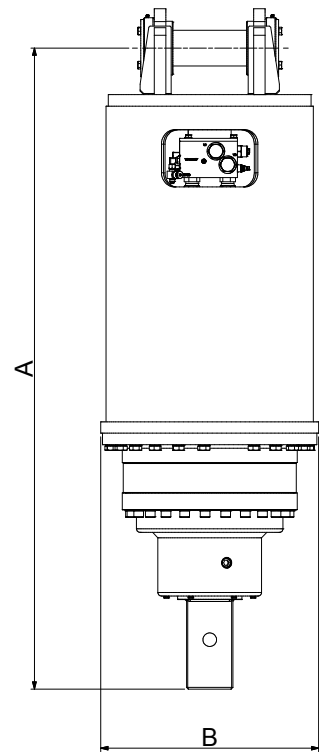
Suits Excavator 25-40 ton



Developed in conjunction with the leading Screw Anchor/Pile installers around the world. The only true Anchor Drives available, designed & manufactured specifically for the rigours of the application. Host machine operates in the most efficient HP range, minimising wear & tear & optimising performance & returns.

Features

- Highest volumetrically efficient motors available, ensure consistent & efficient pile installation throughout the working day
- Compact, High Quality, Australian made gearbox
- In built PRV (pressure relief valve) standard
- ECV (Energy Control relief Valve) to prevent rapid decompression of oil, caused by the reverse energy created by pile kick-back
- Engineered hood & ears for maximum strength
- Extreme duty shaft locking system
- No complex hoses, valving or filtration
- 2 speed drives available up to 100 gpm, no need to detune your machine
- 2yr Gearbox & 1yr Motor Warranty



Specifications

	MD 110	MD 160	MD 190
Nominal Torque ft-lbs (Nm)	86,000 (116,000)	130,000 (170,000)	150,000 (200,000)
Max Flow gpm (lpm)	65 (250)	65 (250)	65 (250)
Max Pressure psi (bar)	3500 (240)	3500 (240)	3500 (240)
Max Power hp (Kw)	127 (95)	127 (95)	127 (95)
Motor	Radial Piston	Radial Piston	Radial Piston
PRV	Included	Included	Included
ECV	Included	Included	Included
Overall Length (A) in (mm)	64 (1638)	70 (1791)	70 (1791)
Diameter (B) in (mm)	24 (610)	24 (610)	24 (610)
Weight (No Hitch/Oil) lbs (kg)	2267 (1028)	2626 (1191)	2633 (1194)
Shaft in (mm)	5 (130) Square	5 (130) Square	5 (130) Square



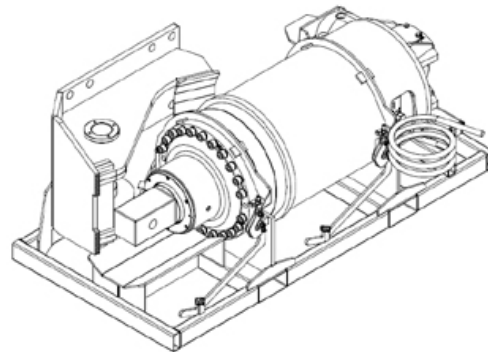
PLANETARY ANCHOR DRIVES

Suits Excavator 25-40 ton

Torque Output

Pressure PSI	MD 110		MD 160		MD 190	
	Hi Torque Low Speed	Low Torque High Speed	Hi Torque Low Speed	Low Torque High Speed	Hi Torque Low Speed	Low Torque High Speed
700	17,260	9,038	25,552	13,380	29,963	15,690
800	19,726	10,329	29,203	15,292	34,243	17,931
900	22,192	11,620	32,853	17,203	38,524	20,173
1,000	24,657	12,912	36,504	19,115	42,804	22,414
1,100	27,123	14,203	40,154	21,026	47,085	24,655
1,200	29,589	15,494	43,804	22,938	51,365	26,897
1,300	32,055	16,785	47,455	24,849	55,645	29,138
1,400	34,520	18,076	51,105	26,761	59,926	31,380
1,500	36,986	19,367	54,755	28,672	64,206	33,621
1,600	39,452	20,659	58,406	30,584	68,487	35,862
1,700	41,918	21,950	62,056	32,495	72,767	38,104
1,800	44,383	23,241	65,706	34,407	77,048	40,345
1,900	46,849	24,532	69,357	36,318	81,328	42,587
2,000	49,315	25,823	73,007	38,229	85,608	44,828
2,100	51,780	27,114	76,657	40,141	89,889	47,069
2,200	54,246	28,406	80,308	42,052	94,169	49,311
2,300	56,712	29,697	83,958	43,964	98,450	51,552
2,400	59,178	30,988	87,609	45,875	102,730	53,794
2,500	61,643	32,279	91,259	47,787	107,010	56,035
2,600	64,109	33,570	94,909	49,698	111,291	58,276
2,700	66,575	34,861	98,560	51,610	115,571	60,518
2,800	69,041	36,152	102,210	53,521	119,852	62,759
2,900	71,506	37,444	105,860	55,433	124,132	65,001
3,000	73,972	38,735	109,511	57,344	128,413	67,242
3,100	76,438	40,026	113,161	59,256	132,693	69,483
3,200	78,904	41,317	116,811	61,167	136,973	71,725
3,300	81,369	42,608	120,462	63,079	141,254	73,966
3,500	86,301	45,191	127,762	66,902	149,815	78,449

**Safe & Secure optional
storage & transport
cradles available**



Output speed and torque specifications are THEORETICAL. Speed and torque output are dependent on the overall system efficiencies associated with the prime movers hydraulic system. This document should be used for information and comparative purposes only. When determining criteria, & application specific information is required, please contact DIGGA.



PLANETARY ANCHOR DRIVES

Suits Excavator 25-40 ton

Speed Output

Flow GPM	MD 110		MD 160		MD 190	
	Hi Torque Low Speed	Low Torque High Speed	Hi Torque Low Speed	Low Torque High Speed	Hi Torque Low Speed	Low Torque High Speed
8	1	2	1	1	1	1
10	1	2	1	2	1	1
12	1	3	1	2	1	2
14	2	3	1	2	1	2
16	2	4	1	3	1	2
18	2	4	2	3	1	2
20	2	5	2	3	1	3
22	3	5	2	4	2	3
24	3	6	2	4	2	3
26	3	6	2	4	2	4
28	3	7	2	4	2	4
30	4	7	3	5	2	4
32	4	8	3	5	2	4
34	4	8	3	5	2	5
36	4	9	3	6	3	5
38	5	9	3	6	3	5
40	5	9	3	6	3	5
42	5	10	4	7	3	6
44	5	10	4	7	3	6
46	6	11	4	7	3	6
48	6	11	4	8	3	7
50	6	12	4	8	4	7
52	6	12	4	8	4	7
54	7	13	5	9	4	7
56	7	13	5	9	4	8
58	7	14	5	9	4	8
60	7	14	5	10	4	8
62	8	15	5	10	4	8
64	8	15	5	10	5	9
66	8	16	6	11	5	9

Output speed and torque specifications are THEORETICAL. Speed and torque output are dependent on the overall system efficiencies associated with the prime movers hydraulic system. This document should be used for information and comparative purposes only. When determining criteria, & application specific information is required, please contact DIGGA.