

PLANETARY ANCHOR DRIVES

Suits Excavator 15-30 ton



Developed in conjunction with the leading Screw Anchor/Pile installers around the world. The only true Anchor Drives available, designed & manufactured specifically for the rigours of the application. Host machine operates in the most efficient HP range, minimising wear & tear & optimising performance & returns.

Features

- Highest volumetrically efficient motors available, ensure consistent & efficient pile installation throughout the working day
- Compact, High Quality, Australian made gearbox
- In built PRV (pressure relief valve) standard
- ECV (Energy Control relief Valve) to prevent rapid decompression of oil, caused by the reverse energy created by pile Kick-back
- Engineered hood & ears for maximum strength
- Extreme duty shaft locking system
- No complex hoses, valving or filtration
- 2 speed drives available up to 100 gpm, no need to detune your machine
- 2yr Gearbox & 1yr Motor Warranty

Specifications

	SD 45	SD 50	SD 70	SD 80	SD 95
Nominal Torque ft-lbs (Nm)	33,000 (45,000)	40,000 (53,000)	50,000 (70,000)	60,000(83,000)	70,000 (92,000)
Max Flow gpm (lpm)	65 (250)	65 (250)	65 (250)	65 (250)	65 (250)
Max Pressure psi (bar)	3,500 (240)	3,500 (240)	3,500 (240)	3,500 (240)	3,500 (240)
Max Power hp (Kw)	127 (95)	127 (95)	127 (95)	127 (95)	127 (95)
Motor	Radial Piston	Radial Piston	Radial Piston	Radial Piston	Radial Piston
PRV	Included	Included	Included	Included	Included
ECV	Included	Included	Included	Included	Included
Overall Length (A) in (mm)	50.9 (1493)	50.9 (1493)	50.9 (1493)	50.9 (1493)	50.9 (1493)
Diameter (B) in (mm)	23.6 (600)	23.6 (600)	23.6 (600)	23.6 (600)	23.6 (600)
Weight (No Hitch/Oil) lbs (kg)	1848 (838)	1843 (836)	1843 (836)	1843 (836)	1859 (843)
Shaft in (mm)	4 (100) Square	4 (100) Square	4 (100) Square	4 (100) Square	4 (100) Square



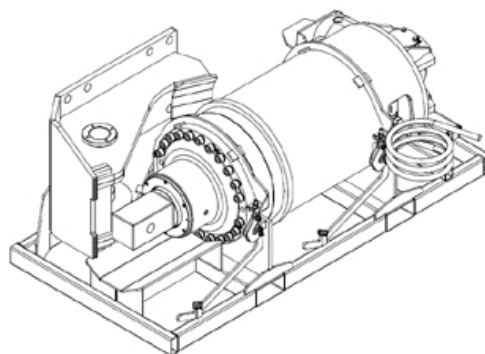
PLANETARY ANCHOR DRIVES

Suits Excavator 15-30 ton

Torque Output

Pressure PSI	SD 45		SD 50		SD 70		SD 80		SD 95	
	Hi Torque Low Speed	Low Torque High Speed	Hi Torque Low Speed	Low Torque High Speed	Hi Torque Low Speed	Low Torque High Speed	Hi Torque Low Speed	Low Torque High Speed	Hi Torque Low Speed	Low Torque High Speed
700	6,689	3,503	7,844	4,107	10,263	5,374	12,370	6,478	13,763	7,207
800	7,645	4,003	8,964	4,694	11,729	6,142	14,138	7,403	15,729	8,236
900	8,600	4,503	10,085	5,281	13,195	6,909	15,905	8,328	17,695	9,266
1,000	9,556	5,004	11,205	5,868	14,661	7,677	17,672	9,254	19,661	10,295
1,100	10,511	5,504	12,326	6,454	16,127	8,445	19,439	10,179	21,627	11,325
1,200	11,467	6,005	13,446	7,041	17,593	9,213	21,206	11,104	23,593	12,354
1,300	12,423	6,505	14,567	7,628	19,059	9,980	22,973	12,030	25,559	13,384
1,400	13,378	7,005	15,687	8,215	20,526	10,748	24,741	12,955	27,526	14,414
1,500	14,334	7,506	16,808	8,801	21,992	11,516	26,508	13,881	29,492	15,443
1,600	15,289	8,006	17,928	9,388	23,458	12,283	28,275	14,806	31,458	16,473
1,700	16,245	8,507	19,049	9,975	24,924	13,051	30,042	15,731	33,424	17,502
1,800	17,201	9,007	20,170	10,562	26,390	13,819	31,809	16,657	35,390	18,532
1,900	18,156	9,507	21,290	11,148	27,856	14,587	33,577	17,582	37,356	19,561
2,000	19,112	10,008	22,411	11,735	29,322	15,354	35,344	18,507	39,322	20,591
2,100	20,067	10,508	23,531	12,322	30,788	16,122	37,111	19,433	41,288	21,620
2,200	21,023	11,008	24,652	12,909	32,254	16,890	38,878	20,358	43,254	22,650
2,300	21,979	11,509	25,772	13,495	33,721	17,657	40,645	21,284	45,221	23,679
2,400	22,934	12,009	26,893	14,082	35,187	18,425	42,413	22,209	47,187	24,709
2,500	23,890	12,510	28,013	14,669	36,653	19,193	44,180	23,134	49,153	25,738
2,600	24,845	13,010	29,134	15,256	38,119	19,961	45,947	24,060	51,119	26,768
2,700	25,801	13,510	30,254	15,842	39,585	20,728	47,714	24,985	53,085	27,797
2,800	26,757	14,011	31,375	16,429	41,051	21,496	49,481	25,910	55,051	28,827
2,900	27,712	14,511	32,495	17,016	42,517	22,264	51,248	26,836	57,017	29,857
3,000	28,668	15,012	33,616	17,603	43,983	23,031	53,016	27,761	58,983	30,886
3,100	29,623	15,512	34,736	18,189	45,449	23,799	54,783	28,687	60,949	31,916
3,200	30,579	16,012	35,857	18,776	46,916	24,567	56,550	29,612	62,916	32,945
3,300	31,534	16,513	36,977	19,363	48,382	25,335	58,317	30,537	64,882	33,975
3,500	33,446	17,514	39,218	20,536	51,314	26,870	61,852	32,388	68,814	36,034

**Safe & Secure optional
storage & transport
cradles available**



Output speed and torque specifications are THEORETICAL. Speed and torque output are dependent on the overall system efficiencies associated with the prime movers hydraulic system. This document should be used for information and comparative purposes only. When determining criteria, & application specific information is required, please contact DIGGA.



PLANETARY ANCHOR DRIVES

Suits Excavator 15-30 ton

Speed Output

Flow GPM	SD 45		SD 50		SD 70		SD 80		SD 95	
	Hi Torque Low Speed	Low Torque High Speed	Hi Torque Low Speed	Low Torque High Speed	Hi Torque Low Speed	Low Torque High Speed	Hi Torque Low Speed	Low Torque High Speed	Hi Torque Low Speed	Low Torque High Speed
8	3	5	2	4	2	3	1	3	1	2
10	3	6	3	5	2	4	2	3	2	3
12	4	7	3	6	3	5	2	4	2	4
14	4	9	4	7	3	6	2	5	2	4
16	5	10	4	8	3	6	3	5	2	5
18	6	11	5	9	4	7	3	6	3	5
20	6	12	5	10	4	8	3	7	3	6
22	7	13	6	11	5	9	4	7	3	7
24	8	15	7	13	5	10	4	8	4	7
26	8	16	7	14	5	10	5	9	4	8
28	9	17	8	15	6	11	5	9	4	8
30	10	18	8	16	6	12	5	10	5	9
32	10	20	9	17	7	13	6	11	5	10
34	11	21	9	18	7	14	6	11	5	10
36	12	22	10	19	8	14	6	12	6	11
38	12	23	10	20	8	15	7	13	6	11
40	13	25	11	21	8	16	7	13	6	12
42	13	26	11	22	9	17	7	14	7	13
44	14	27	12	23	9	18	8	15	7	13
46	15	28	13	24	10	18	8	15	7	14
48	15	29	13	25	10	19	8	16	7	14
50	16	31	14	26	10	20	9	17	8	15
52	17	32	14	27	11	21	9	17	8	15
54	17	33	15	28	11	22	9	18	8	16
56	18	34	15	29	12	22	10	19	9	17
58	19	36	16	30	12	23	10	19	9	17
60	19	37	16	31	13	24	10	20	9	18
62	20	38	17	32	13	25	11	21	10	18
64	21	39	18	33	13	26	11	21	10	19
66	21	40	18	34	14	26	11	22	10	20

Output speed and torque specifications are THEORETICAL. Speed and torque output are dependent on the overall system efficiencies associated with the prime movers hydraulic system. This document should be used for information and comparative purposes only. When determining criteria, & application specific information is required, please contact DIGGA.