

PLANETARY ANCHOR DRIVES

Suits Excavator 30-50 ton



Developed in conjunction with the leading Screw Anchor/Pile installers around the world. The only true Anchor Drives available, designed & manufactured specifically for the rigours of the application. Host machine operates in the most efficient HP range, minimising wear & tear & optimising performance & returns.

Features

- Highest volumetrically efficient motors available, ensure consistent & efficient pile installation throughout the working day
- Compact, High Quality, Australian made gearbox
- In built PRV (pressure relief valve) standard
- ECV (Energy Control relief Valve) to prevent rapid decompression of oil, caused by the reverse energy created by pile Kick-back
- Engineered hood & ears for maximum strength
- Extreme duty shaft locking system
- No complex hoses, valving or filtration
- 2yr Gearbox & 1yr Motor Warranty

Specifications

	UD 190	UD 220	UD 250	UD 300
Nominal Torque ft-lbs (Nm)	140,000 (190,000)	155,000 (220,000)	184,000 (250,000)	230,000 (310,000)
GD4 Motor	Max Flow gpm (lpm)	65 (250)	65 (250)	65 (250)
	Max Power hp (Kw)	127 (95)	127 (95)	127 (95)
TD3 Motor	Max Flow gpm (lpm)	100 (380)	100 (380)	100 (380)
	Max Power hp (Kw)	200 (150)	200 (150)	200 (150)
Max Pressure psi (bar)	3500 (240)	3500 (240)	3500 (240)	3500 (240)
Motor	Radial Piston	Radial Piston	Radial Piston	Radial Piston
PRV	Included	Included	Included	Included
ECV	Included	Included	Included	Included
Overall Length (A) in (mm)	75.5 (1915)	75.5 (1915)	75.5 (1915)	75.5 (1915)
Diameter (B) in (mm)	26.5 (671)	26.5 (671)	26.5 (671)	26.5 (671)
Weight (No Hitch/Oil) lbs (kg)	2633 (1194)	3467 (1573)	3467 (1573)	3467 (1573)
Shaft in (mm)	6 (150) Square	6 (150) Square	6 (150) Square	6 (150) Square





EXCAVATORS 65GPM / 127HP

Torque Output

Pressure PSI	UD 190		UD 220		UD 250		UD 300	
	Hi Torque Low Speed	Low Torque High Speed	Hi Torque Low Speed	Low Torque High Speed	Hi Torque Low Speed	Low Torque High Speed	Hi Torque Low Speed	Low Torque High Speed
700	28,161	14,746	31,331	16,406	36,739	19,238	46,075	24,127
800	32,184	16,853	35,807	18,750	41,988	21,986	52,657	27,574
900	36,207	18,960	40,283	21,094	47,236	24,735	59,239	31,020
1,000	40,230	21,066	44,759	23,438	52,484	27,483	65,822	34,467
1,100	44,253	23,173	49,235	25,781	57,733	30,231	72,404	37,914
1,200	48,276	25,280	53,711	28,125	62,981	32,980	78,986	41,360
1,300	52,299	27,386	58,187	30,469	68,230	35,728	85,568	44,807
1,400	56,323	29,493	62,662	32,813	73,478	38,476	92,150	48,254
1,500	60,346	31,599	67,138	35,156	78,727	41,224	98,732	51,700
1,600	64,369	33,706	71,614	37,500	83,975	43,973	105,315	55,147
1,700	68,392	35,813	76,090	39,844	89,224	46,721	111,897	58,594
1,800	72,415	37,919	80,566	42,188	94,472	49,469	118,479	62,040
1,900	76,438	40,026	85,042	44,531	99,720	52,218	125,061	65,487
2,000	80,461	42,133	89,518	46,875	104,969	54,966	131,643	68,934
2,100	84,484	44,239	93,994	49,219	110,217	57,714	138,225	72,380
2,200	88,507	46,346	98,470	51,563	115,466	60,463	144,808	75,827
2,300	92,530	48,452	102,945	53,906	120,714	63,211	151,390	79,274
2,400	96,553	50,559	107,421	56,250	125,963	65,959	157,972	82,721
2,500	100,576	52,666	111,897	58,594	131,211	68,707	164,554	86,167
2,600	104,599	54,772	116,373	60,938	136,459	71,456	171,136	89,614
2,700	108,622	56,879	120,849	63,281	141,708	74,204	177,718	93,061
2,800	112,645	58,986	125,325	65,625	146,956	76,952	184,301	96,507
2,900	116,668	61,092	129,801	67,969	152,205	79,701	190,883	99,954
3,000	120,691	63,199	134,277	70,313	157,453	82,449	197,465	103,401
3,100	124,714	65,305	138,753	72,657	162,702	85,197	204,047	106,847
3,200	128,737	67,412	143,229	75,000	167,950	87,946	210,629	110,294
3,300	132,760	69,519	147,704	77,344	173,199	90,694	217,211	113,741
3,500	140,806	73,732	156,656	82,032	183,695	96,190	230,376	120,634

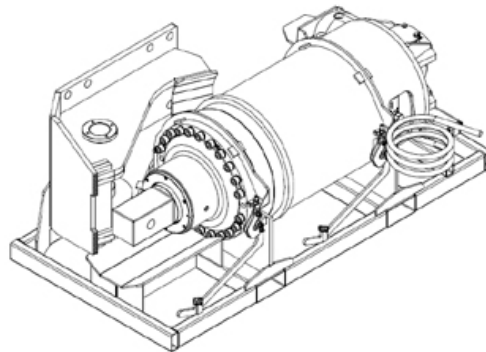
Output speed and torque specifications are THEORETICAL. Speed and torque output are dependent on the overall system efficiencies associated with the prime movers hydraulic system. This document should be used for information and comparative purposes only. When determining criteria, & application specific information is required, please contact DIGGA.

EXCAVATORS 65GPM / 127HP

Speed Output

Flow GPM	UD 190		UD 220		UD 250		UD 300	
	Hi Torque Low Speed	Low Torque High Speed	Hi Torque Low Speed	Low Torque High Speed	Hi Torque Low Speed	Low Torque High Speed	Hi Torque Low Speed	Low Torque High Speed
8	1	1	1	1	0	1	0	1
11	1	2	1	1	1	1	1	1
14	1	2	1	2	1	2	1	1
17	1	2	1	2	1	2	1	2
20	2	3	1	3	1	2	1	2
23	2	3	2	3	1	3	1	2
26	2	4	2	3	2	3	1	2
29	2	4	2	4	2	3	1	3
32	2	5	2	4	2	4	1	3
35	3	5	2	5	2	4	2	3
38	3	6	3	5	2	4	2	3
41	3	6	3	5	2	5	2	4
44	3	6	3	6	3	5	2	4
47	4	7	3	6	3	5	2	4
50	4	7	3	7	3	6	2	4
53	4	8	4	7	3	6	2	5
56	4	8	4	7	3	6	3	5
59	4	9	4	8	3	7	3	5
62	5	9	4	8	4	7	3	6
65	5	9	4	9	4	7	3	6

**Safe & Secure optional
storage & transport
cradles available**



Output speed and torque specifications are THEORETICAL. Speed and torque output are dependent on the overall system efficiencies associated with the prime movers hydraulic system. This document should be used for information and comparative purposes only. When determining criteria, & application specific information is required, please contact DIGGA.



EXCAVATORS 100GPM / 200HP

Torque Output

Pressure PSI	UD 190		UD 220		UD 250		UD 300	
	Hi Torque Low Speed	Low Torque High Speed	Hi Torque Low Speed	Low Torque High Speed	Hi Torque Low Speed	Low Torque High Speed	Hi Torque Low Speed	Low Torque High Speed
700	27,695	13,848	30,813	15,406	36,131	18,066	45,313	22,656
800	31,652	15,826	35,215	17,607	41,293	20,646	51,786	25,893
900	35,608	17,804	39,616	19,808	46,454	23,227	58,259	29,130
1,000	39,565	19,782	44,018	22,009	51,616	25,808	64,732	32,366
1,100	43,521	21,761	48,420	24,210	56,777	28,389	71,206	35,603
1,200	47,478	23,739	52,822	26,411	61,939	30,970	77,679	38,839
1,300	51,434	25,717	57,224	28,612	67,101	33,550	84,152	42,076
1,400	55,390	27,695	61,626	30,813	72,262	36,131	90,625	45,313
1,500	59,347	29,673	66,027	33,014	77,424	38,712	97,099	48,549
1,600	63,303	31,652	70,429	35,215	82,585	41,293	103,572	51,786
1,700	67,260	33,630	74,831	37,415	87,747	43,873	110,045	55,023
1,800	71,216	35,608	79,233	39,616	92,909	46,454	116,518	58,259
1,900	75,173	37,586	83,635	41,817	98,070	49,035	122,992	61,496
2,000	79,129	39,565	88,036	44,018	103,232	51,616	129,465	64,732
2,100	83,086	41,543	92,438	46,219	108,393	54,197	135,938	67,969
2,200	87,042	43,521	96,840	48,420	113,555	56,777	142,411	71,206
2,300	90,999	45,499	101,242	50,621	118,717	59,358	148,884	74,442
2,400	94,955	47,478	105,644	52,822	123,878	61,939	155,358	77,679
2,500	98,912	49,456	110,046	55,023	129,040	64,520	161,831	80,915
2,600	102,868	51,434	114,447	57,224	134,201	67,101	168,304	84,152
2,700	106,824	53,412	118,849	59,425	139,363	69,681	174,777	87,389
2,800	110,781	55,390	123,251	61,626	144,524	72,262	181,251	90,625
2,900	114,737	57,369	127,653	63,826	149,686	74,843	187,724	93,862
3,000	118,694	59,347	132,055	66,027	154,848	77,424	194,197	97,099
3,100	122,650	61,325	136,456	68,228	160,009	80,005	200,670	100,335
3,200	126,607	63,303	140,858	70,429	165,171	82,585	207,144	103,572
3,300	130,563	65,282	145,260	72,630	170,332	85,166	213,617	106,808
3,500	138,476	69,238	154,064	77,032	180,656	90,328	226,563	113,282

Output speed and torque specifications are THEORETICAL. Speed and torque output are dependent on the overall system efficiencies associated with the prime movers hydraulic system. This document should be used for information and comparative purposes only. When determining criteria, & application specific information is required, please contact DIGGA.



EXCAVATORS 100GPM / 200HP

Speed Output

Flow GPM	UD 190		UD 220		UD 250		UD 300	
	Hi Torque Low Speed	Low Torque High Speed	Hi Torque Low Speed	Low Torque High Speed	Hi Torque Low Speed	Low Torque High Speed	Hi Torque Low Speed	Low Torque High Speed
8	1	1	1	1	0	1	0	1
11	1	2	1	2	1	1	1	1
14	1	2	1	2	1	2	1	1
17	1	3	1	2	1	2	1	2
20	2	3	1	3	1	2	1	2
23	2	4	2	3	1	3	1	2
26	2	4	2	4	2	3	1	2
29	2	4	2	4	2	3	1	3
32	2	5	2	4	2	4	2	3
35	3	5	2	5	2	4	2	3
38	3	6	3	5	2	5	2	4
41	3	6	3	6	2	5	2	4
44	3	7	3	6	3	5	2	4
47	4	7	3	7	3	6	2	4
50	4	8	3	7	3	6	2	5
53	4	8	4	7	3	6	3	5
56	4	9	4	8	3	7	3	5
59	5	9	4	8	4	7	3	6
62	5	10	4	9	4	7	3	6
65	5	10	5	9	4	8	3	6
68	5	11	5	9	4	8	3	6
71	6	11	5	10	4	8	3	7
74	6	11	5	10	4	9	4	7
77	6	12	5	11	5	9	4	7
80	6	12	6	11	5	10	4	8
83	6	13	6	12	5	10	4	8
86	7	13	6	12	5	10	4	8
89	7	14	6	12	5	11	4	8
92	7	14	6	13	5	11	4	9
95	7	15	7	13	6	11	4	9
98	8	15	7	14	6	12	5	9
101	8	16	7	14	6	12	5	10

Output speed and torque specifications are THEORETICAL. Speed and torque output are dependent on the overall system efficiencies associated with the prime movers hydraulic system. This document should be used for information and comparative purposes only. When determining criteria, & application specific information is required, please contact DIGGA.