

AUGER DRIVES SUPA DRIVE 15 - 30T (18,000lbs - 70,000lbs)



Digga's SD45, SD50 and SD70 range of drilling drives are the ultimate in performance, quality and cost effectiveness. Over 30 years of design and development has produced the highest quality range of auger drives on the market today. Completely manufactured and assembled by Digga, using only the highest grade materials and strictest quality control.

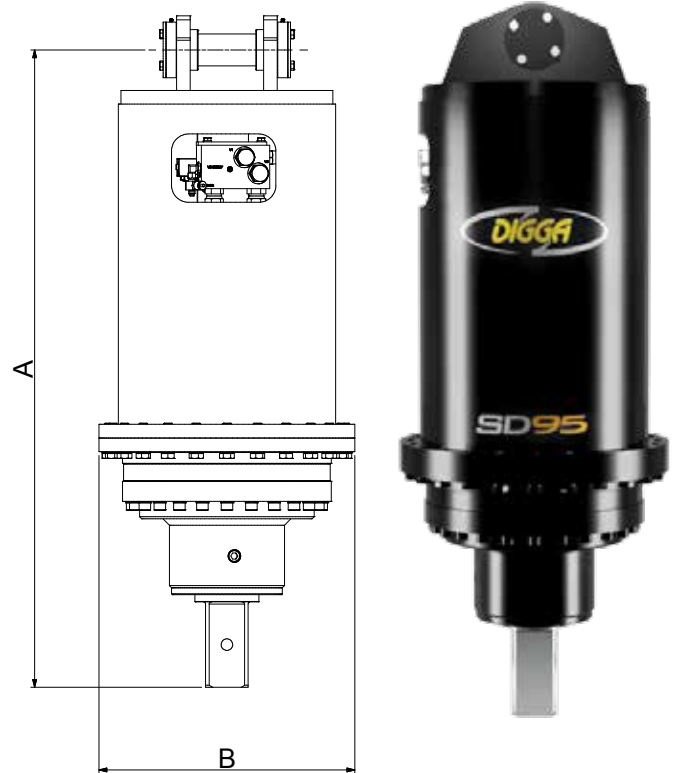
Fitted with Digga / Eaton bell motors with intergrated pressure relief valve and input housing. The innovative design allows the gearbox to go down the hole to maximise drilling depth without extentions, eliminating downtime and minimises maintenance, optimising your returns.

Digga drilling drives are backed by industry leading warranty and local factory support.

Digga planetary auger drives are specially designed for Excavators for drilling and augering in most ground conditions.

FEATURES

- Highest volumetrically efficient motors available, ensure consistent & efficient drilling throughout the working day
- Compact, High Quality, Australian made gearbox
- In built PRV (pressure relief valve) standard
- Engineered hood & ears for maxiumum strength
- Extreme duty shaft locking system
- No complex hoses, valving or filtration
- 2 speed drives available up to 100 gpm, no need to detune your machine
- 2yr Gearbox & 1yr Motor Warranty



	SUPA DRIVES		
MODEL	SD 45	SD 50	SD 70
Nominal Torque (ft-lbs)	33,000	40,000	50,000
Recommended Flow (Gpm)	20-63	20-63	20-63
Maximum Pressure - Do Not Exceed	3,500psi @ 63gmp		
Maximum Flow - Do Not Exceed	80gpm @ 2800psi		
Maximum Horse Power	127	127	127
Motor Type	Radial Piston	Radial Piston	Radial Piston
Pressure Relief Valve	Included	Included	Included
Energy Control Valve	Included	Included	Included
Standard Output Shaft	100mm Square	100mm Square	100mm Square
Recommended Auger	RC10 / RC11	RC10 / RC11	RC10 / RC11
Max Auger Diameter Clay/shale**	60"	60"	60"
Max Auger Diameter Earth**	79"	79"	79"
Weight (lbs)	1843	1843	1843
Overall Length (in)	50.9"	50.9"	50.9"
Diameter (in)	23.6"	23.6"	23.6"



AUGER DRIVES SUPA DRIVE

15 - 30T (18,000lbs - 70,000lbs)



OUTPUT SPEED						
GPM	SD45		SD50		SD70	
	HI TORQUE LOW SPD	LO TORQUE HIGH SPD	HI TORQUE LOW SPD	LO TORQUE HIGH SPD	HI TORQUE LOW SPD	LO TORQUE HIGH SPD
8	3	5	2	4	2	3
10	3	6	3	5	2	4
12	4	7	3	6	3	5
14	4	9	4	7	3	6
16	5	10	4	8	3	6
18	6	11	5	9	4	7
20	6	12	5	10	4	8
22	7	13	6	11	5	9
24	8	15	7	13	5	10
26	8	16	7	14	5	10
28	9	17	8	15	6	11
30	10	18	8	16	6	12
32	10	20	9	17	7	13
34	11	21	9	18	7	14
36	12	22	10	19	8	14
38	12	23	10	20	8	15
40	13	25	11	21	8	16
42	13	26	11	22	9	17
44	14	27	12	23	9	18
46	15	28	13	24	10	18
48	15	29	13	25	10	19
50	16	31	14	26	10	20
52	17	32	14	27	11	21
54	17	33	15	28	11	22
56	18	34	15	29	12	22
58	19	36	16	30	12	23
60	19	37	16	31	13	24
62	20	38	17	32	13	25
64	21	39	18	33	13	26
66	21	40	18	34	14	26

OUTPUT TORQUE						
PSI	SD45		SD50		SD70	
	HI TORQUE LOW SPD	LO TORQUE HIGH SPD	HI TORQUE LOW SPD	LO TORQUE HIGH SPD	HI TORQUE LOW SPD	LO TORQUE HIGH SPD
700	6,689	3,503	7,844	4,107	10,263	5,374
800	7,645	4,003	8,964	4,694	11,729	6,142
900	8,600	4,503	10,085	5,281	13,195	6,909
1,000	9,556	5,004	11,205	5,868	14,661	7,677
1,100	10,511	5,504	12,326	6,454	16,127	8,445
1,200	11,467	6,005	13,446	7,041	17,593	9,213
1,300	12,423	6,505	14,567	7,628	19,059	9,980
1,400	13,378	7,005	15,687	8,215	20,526	10,748
1,500	14,334	7,506	16,808	8,801	21,992	11,516
1,600	15,289	8,006	17,928	9,388	23,458	12,283
1,700	16,245	8,507	19,049	9,975	24,924	13,051
1,800	17,201	9,007	20,170	10,562	26,390	13,819
1,900	18,156	9,507	21,290	11,148	27,856	14,587
2,000	19,112	10,008	22,411	11,735	29,322	15,354
2,100	20,067	10,508	23,531	12,322	30,788	16,122
2,200	21,023	11,008	24,652	12,909	32,254	16,890
2,300	21,979	11,509	25,772	13,495	33,721	17,657
2,400	22,934	12,009	26,893	14,082	35,187	18,425
2,500	23,890	12,510	28,013	14,669	36,653	19,193
2,600	24,845	13,010	29,134	15,256	38,119	19,961
2,700	25,801	13,510	30,254	15,842	39,585	20,728
2,800	26,757	14,011	31,375	16,429	41,051	21,496
2,900	27,712	14,511	32,495	17,016	42,517	22,264
3,000	28,668	15,012	33,616	17,603	43,983	23,031
3,100	29,623	15,512	34,736	18,189	45,449	23,799
3,200	30,579	16,012	35,857	18,776	46,916	24,567
3,300	31,534	16,513	36,977	19,363	48,382	25,335
3,500	33,446	17,514	39,218	20,536	51,314	26,870

Output speed and torque specifications are THEORETICAL. Speed and torque output are dependent on the overall system efficiencies associated with the prime movers hydraulic system. This document should be used for information and comparative purposes only. When determining criteria, & application specific information is required, please contact DIGGA.

AUGERS TO SUIT SD45, SD50 & SD70

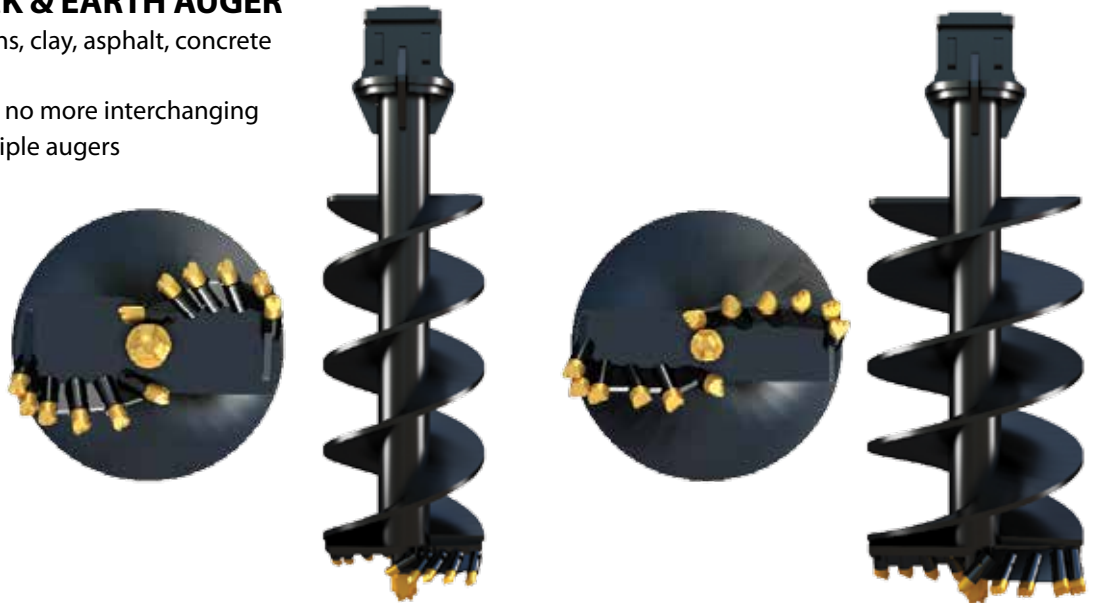


FEATURES

- TRU-CUT – a 12" auger cuts a 12" hole, no more oversized holes!
- Over 30 years of auger design and manufacture has resulted in an extremely efficient cutting head design and optimum flight pitches to provide maximum soil removal in all ground conditions.
- Made in the USA
- Easy knock in and out teeth requires no special tools

COMBINATION ROCK & EARTH AUGER

- Dig holes in earth conditions, clay, asphalt, concrete and fracturable rock
- All purpose cutting heads - no more interchanging cutting heads & using multiple augers
- Available Size, 6" to 60"
- 60" Overall length



SCREW ANCHOR APPLICATIONS

Digga's auger drives can be converted to screw anchor drives in 3 easy steps with the addition of our patented 'Anti Kickback Valve'. The valve controls the rapid decompression of oil which occurs during pile installation. A pile builds up rotational energy, somewhat like a rubber band on a wind up model plane. The pile momentarily kicks back, forcing energy back up the pile through the drive shaft to the gear box, through the hydraulic motor.

This action momentarily causes the motor to effectively turn into a high speed pump, potentially causing costly motor failure. Fitted to the drive manifold, the Anti Kickback Valve controls this release of energy.

Digga's 5 year gearbox and 3 year motor warranty does not allow to auger drives which are used for screw anchoring and not fitted with an Anti Kickback Valve.

EASY FITMENT OF THE OPTIONAL SWOOSH VALVE FOR SCREW ANCHORING APPLICATIONS

