

EXCAVATOR PILING HITCH

Developed for faster connection to the auger/pile.
Ryno Hitch is designed to handle the torsional loads of anchors and screw piling.

The Ryno Hitch front cradle allows the operator to angle the drive up to a 90 degree, for easy connection to augers or anchors.

The rear cradle stops the auger drive and anchors swinging around while manoeuvring over uneven terrain.

Features:

- Compact, provides operator with faster connection to the auger/pile
- Safer, no more standing piles or large augers with persons or machinery for connection to drive
- Extra Heavy Duty, fully engineered design
- Premium Grade Steel

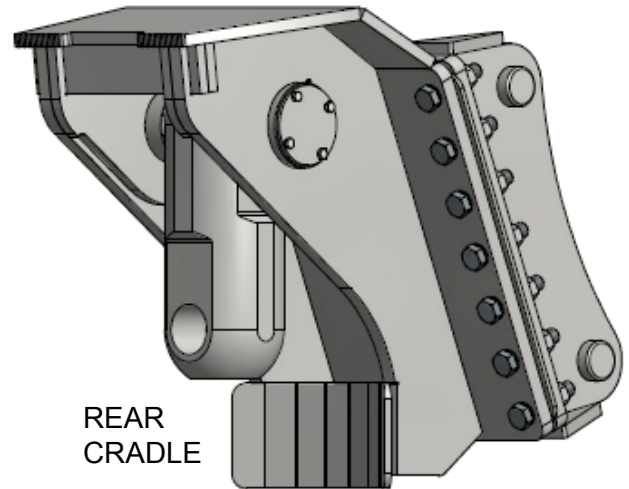
Ideal Use:

Augering, Screw anchoring, piling, foundation drilling.

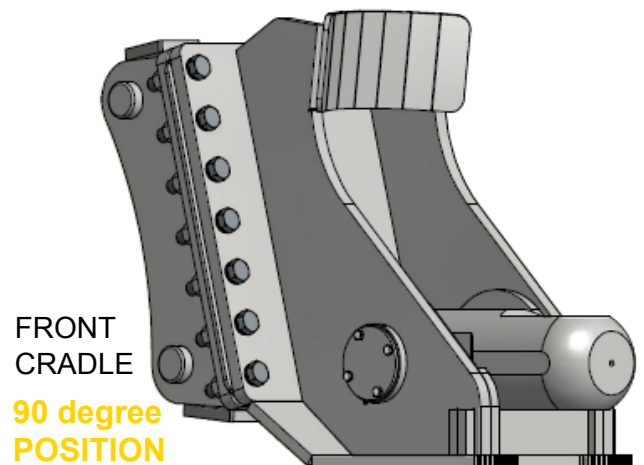
Drive Suitability:

Premium Drives, Supa Drives, Mega Drives and Ultra Drives.
5000 ft lbs - 375,000 ft lbs

PENDULUM POSITION



REAR CRADLE



FRONT CRADLE

90 degree POSITION



TO SUIT EXCAVATORS FROM 4.5T - 50T



Total Service

Digga can provide both the mounting hitch to the excavator & the Ryno Hitch.

